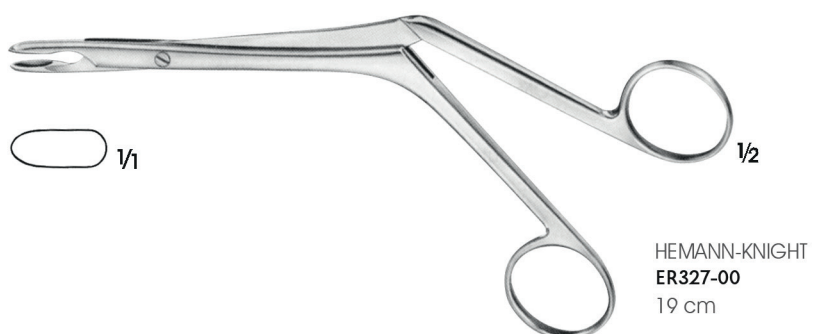
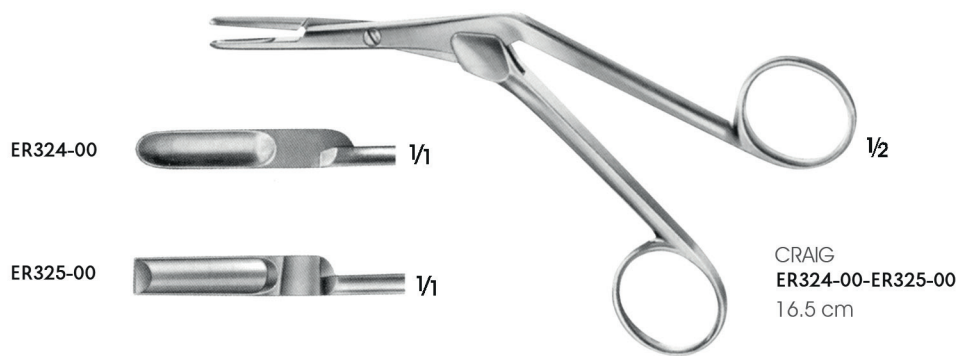
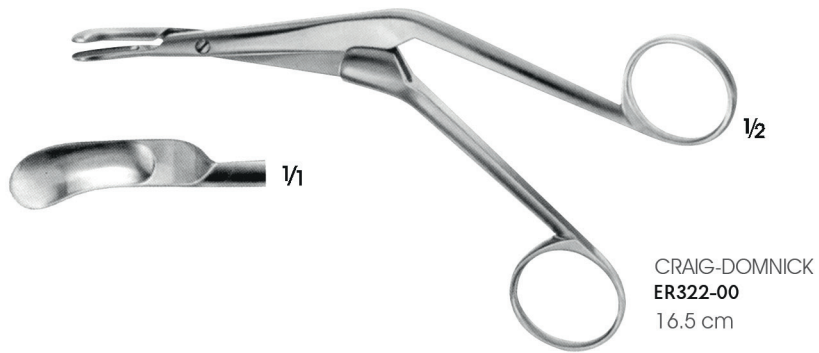
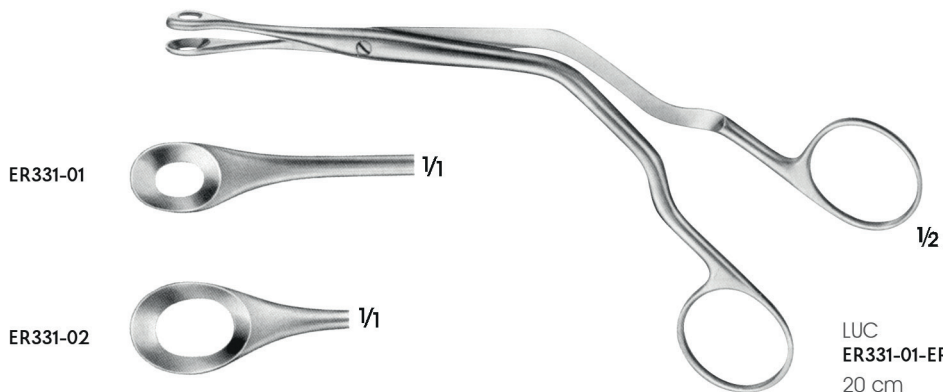
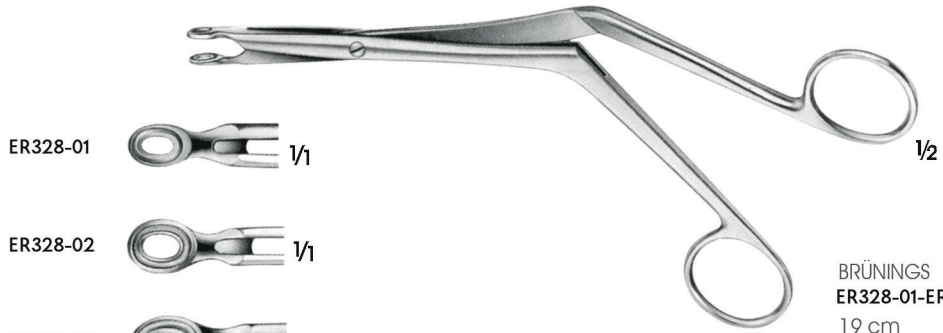
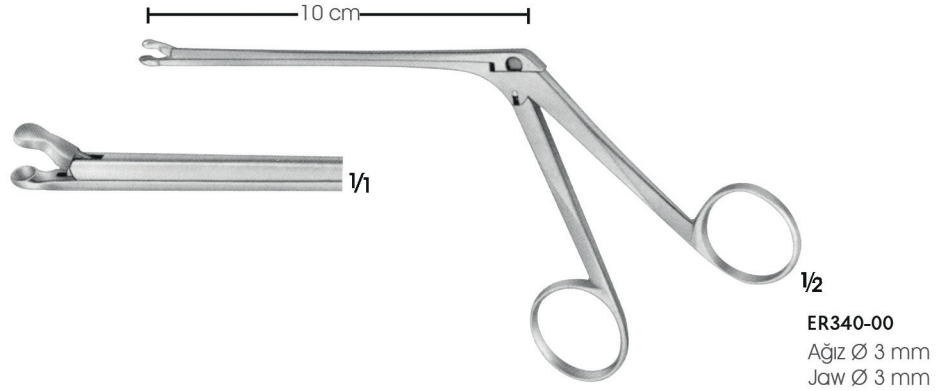


ER

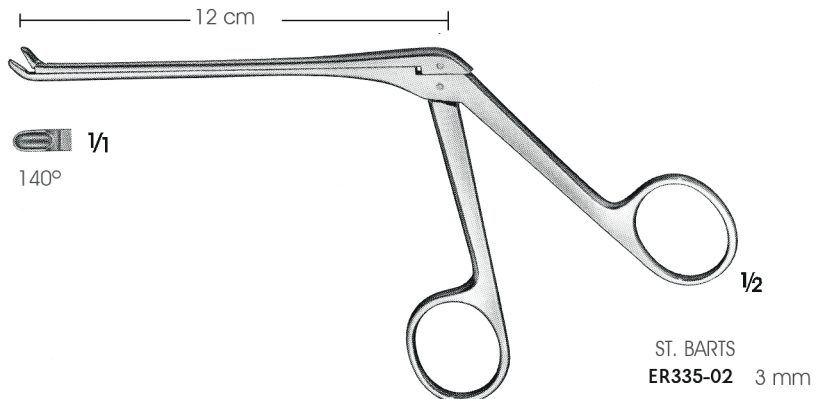
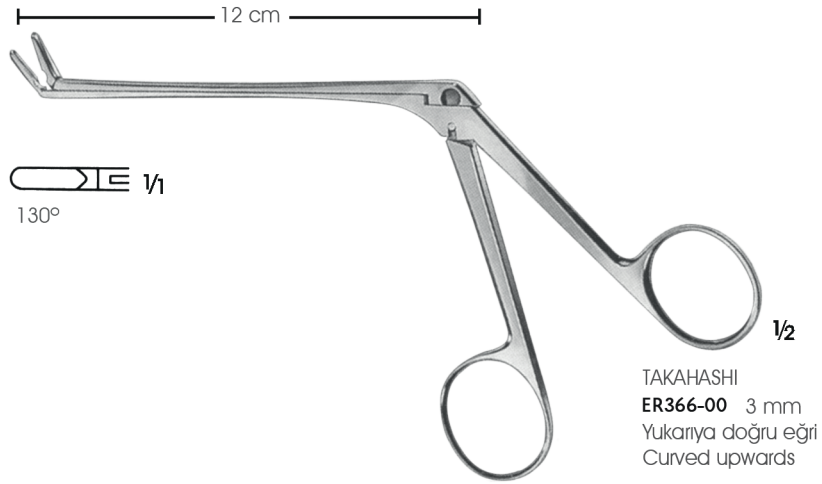
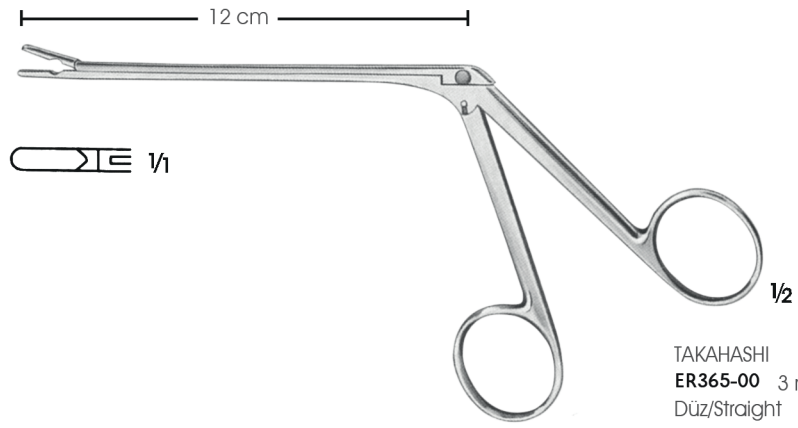
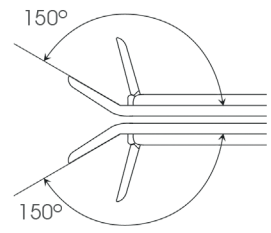
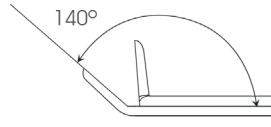
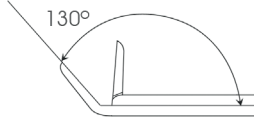
Ronjurlar  
Rongeurs

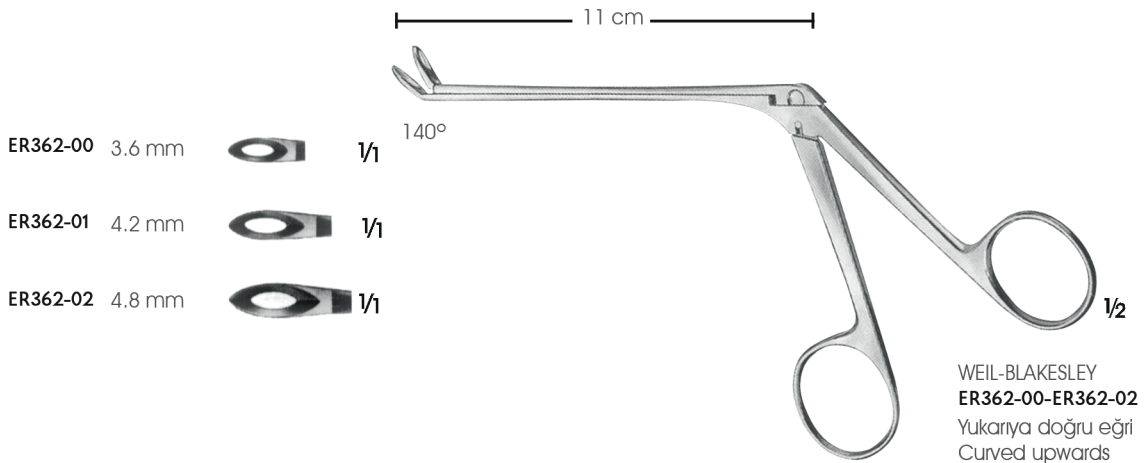
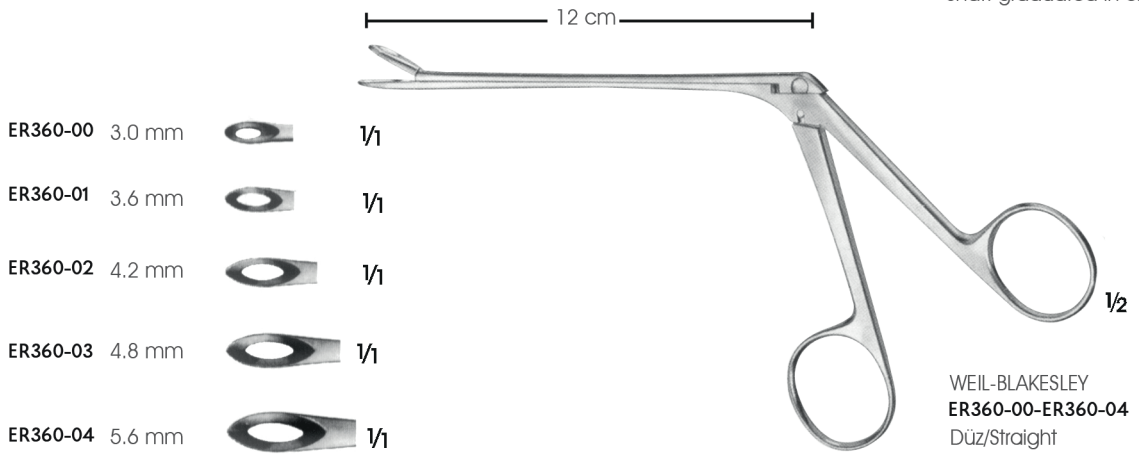
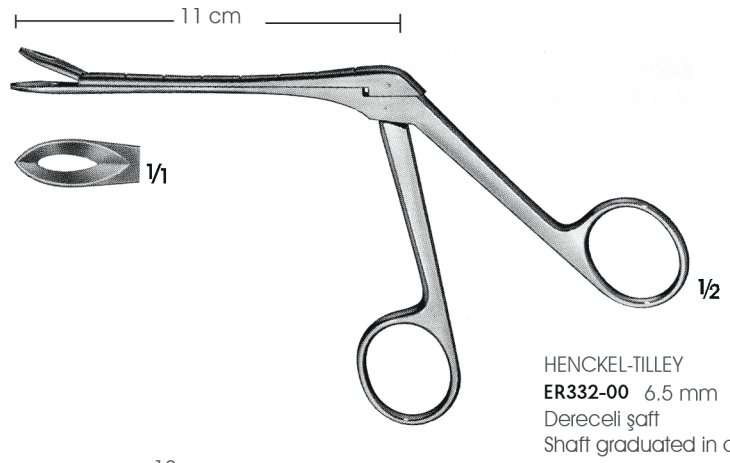
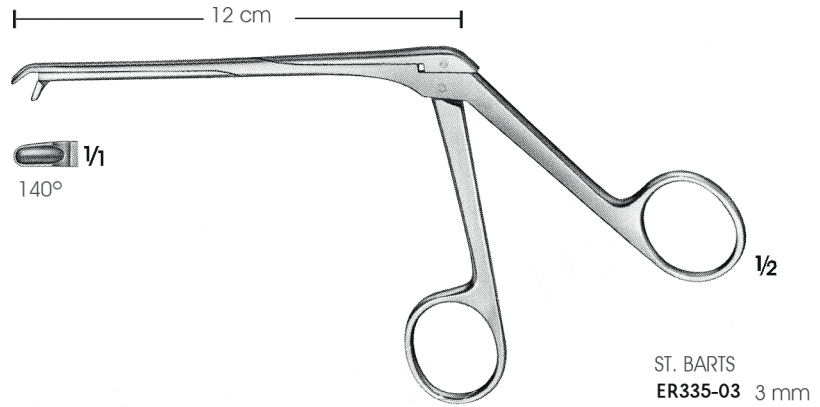




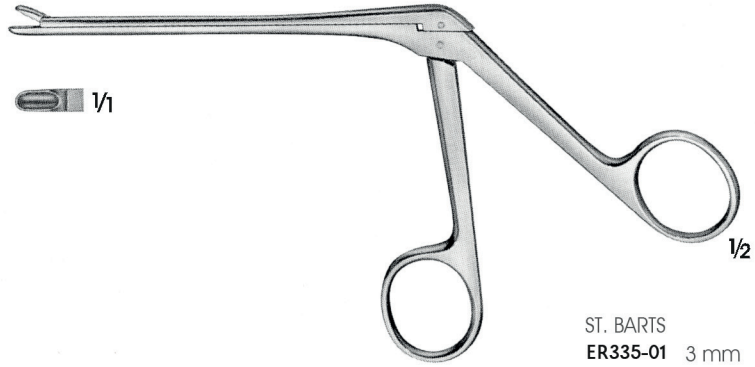


Pançlar için açılı pozisyonlar  
Angled positions for punches

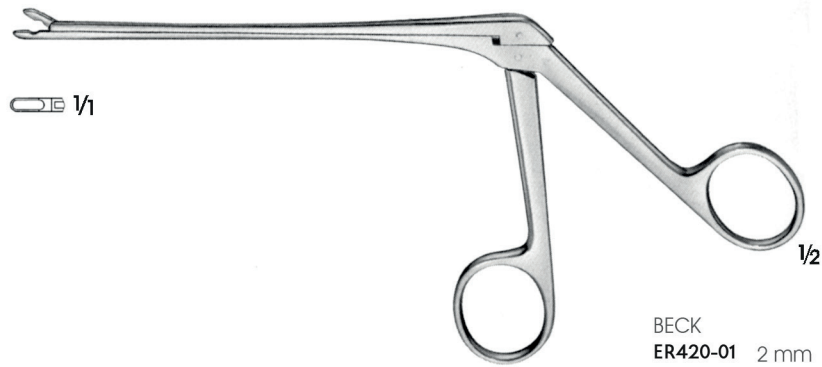




12 cm



14 cm



13 cm



CUSHING  
ER423-01 4 mm



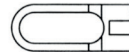
1/1

ER423-02 5 mm

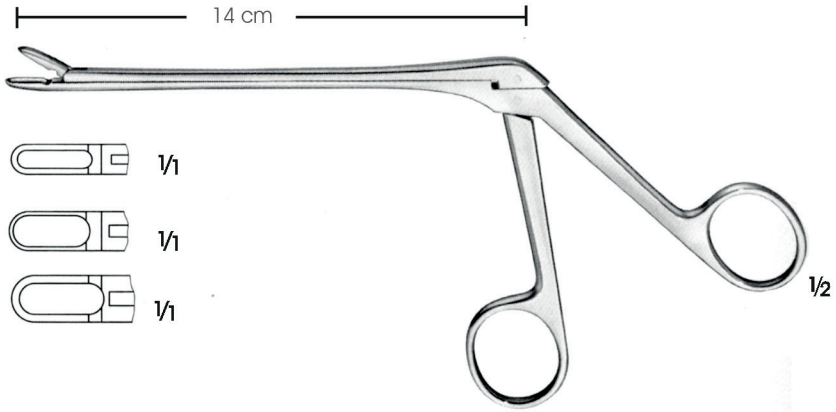


1/1

ER423-03 6 mm



1/1



CUSHING  
ER425-01 3 mm



1/1

ER425-02 4 mm



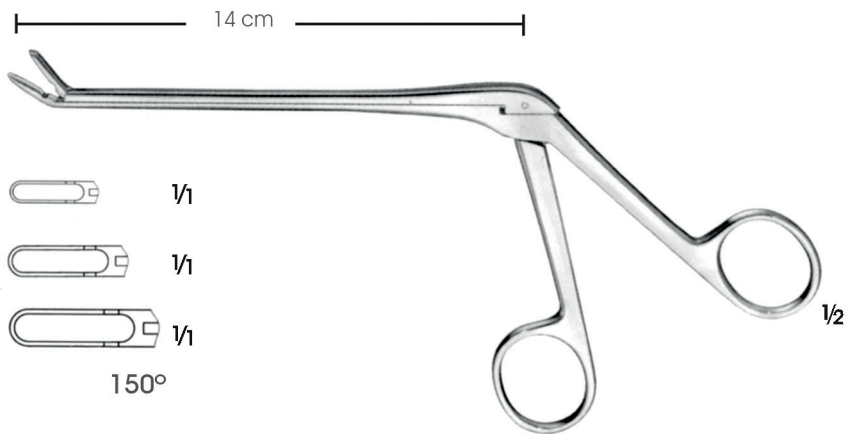
1/1

ER425-03 5 mm



1/1

150°



CUSHING  
ER426-01 3 mm



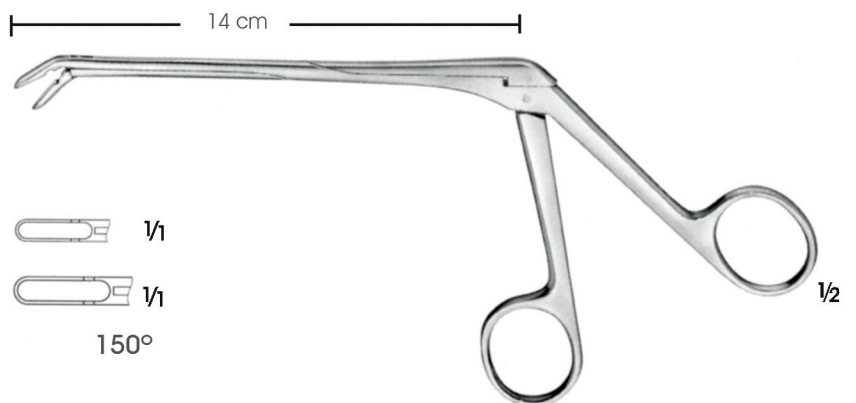
1/1

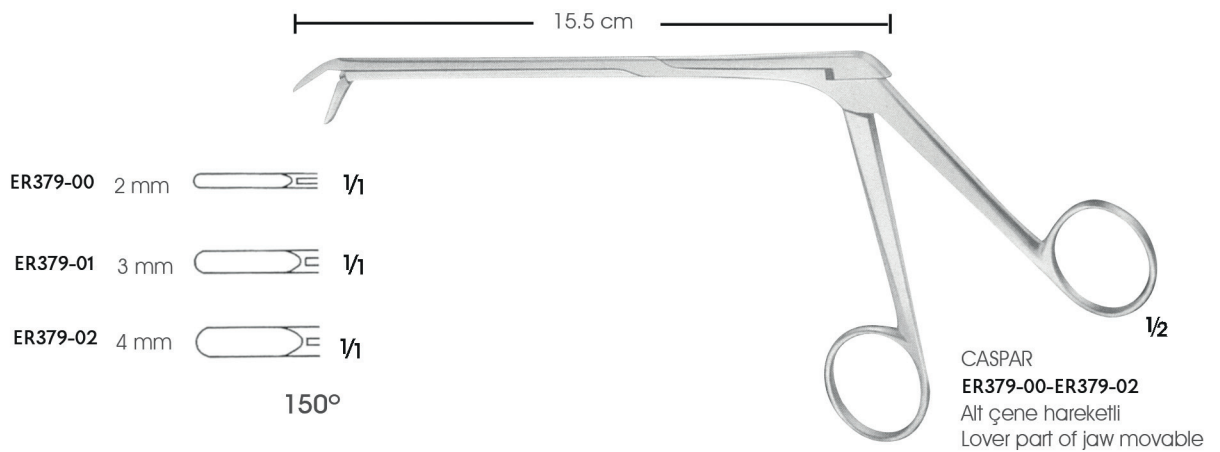
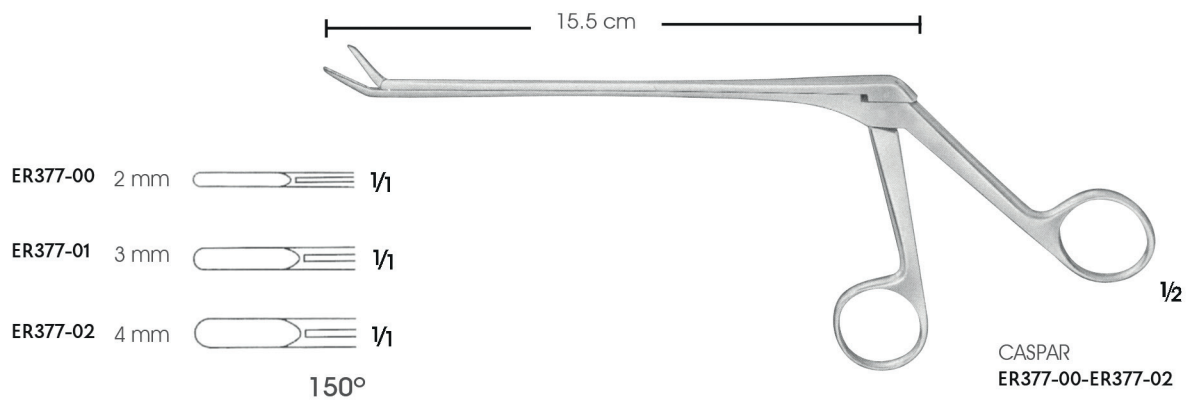
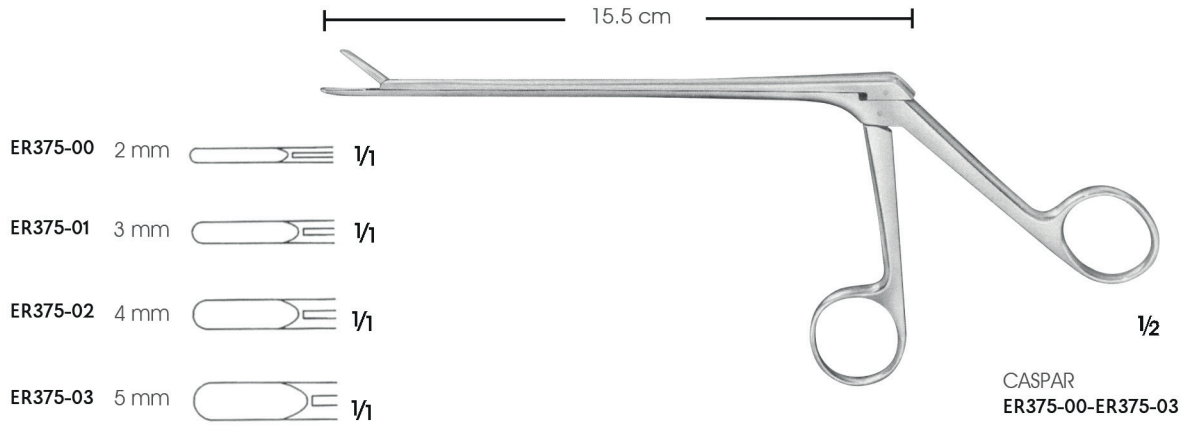
ER426-02 4 mm



1/1

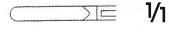
150°







LOVE-GRUENWALD  
ER370-00 2 x 10 mm



LOVE-GRUENWALD  
ER370-01 3 x 10 mm



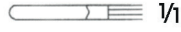
SPURLING  
ER370-02 4 x 10 mm



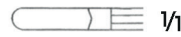
13.5 cm



CUSHING  
ER380-00 2 x 10 mm



LOVE-GRUENWALD  
ER383-01 3 x 10 mm



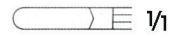
SPURLING  
ER386-02 4 x 10 mm



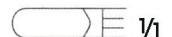
18 cm



LOVE-GRUENWALD  
ER384-01 3 x 10 mm



SPURLING  
ER387-02 4 x 10 mm



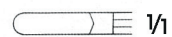
150°

18cm

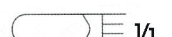


Üst çene hareketli  
Upper part of jaw movable

LOVE-GRUENWALD  
ER385-01 3 x 10 mm



LOVE-GRUENWALD  
ER388-02 4 x 10 mm

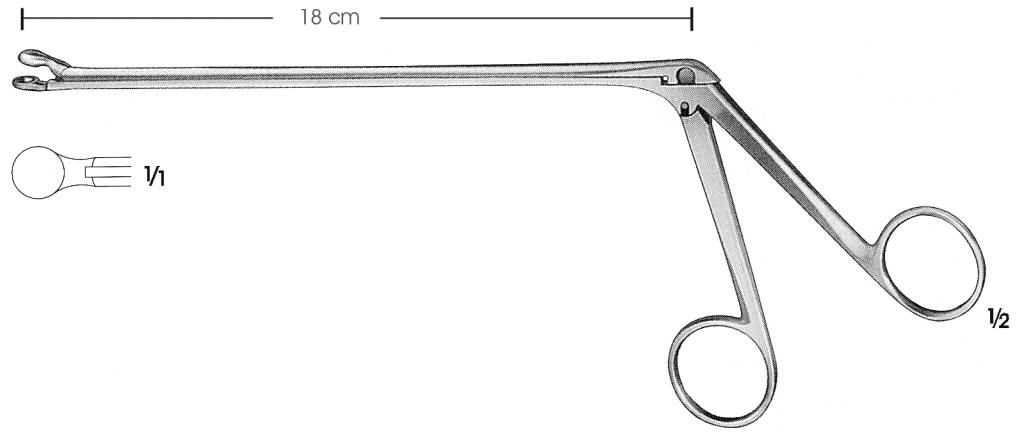


150°

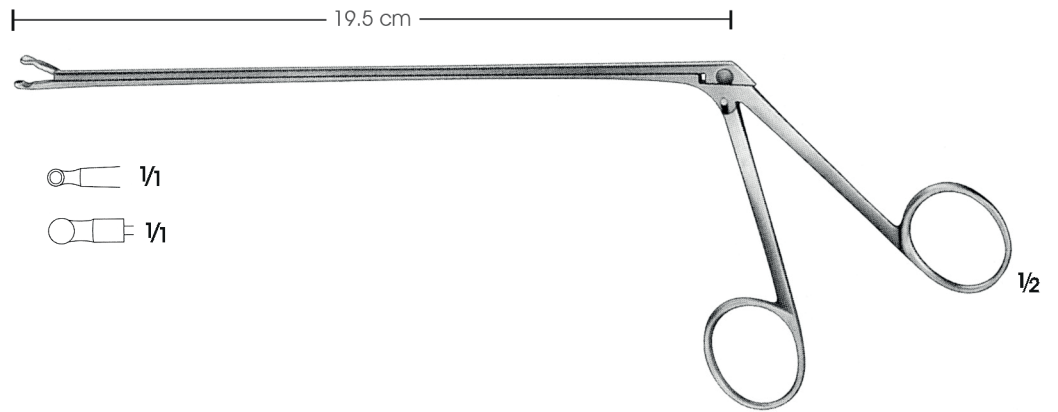
18 cm



OLDBERG  
ER410-00 Ø 7 mm



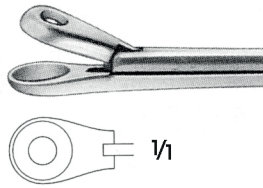
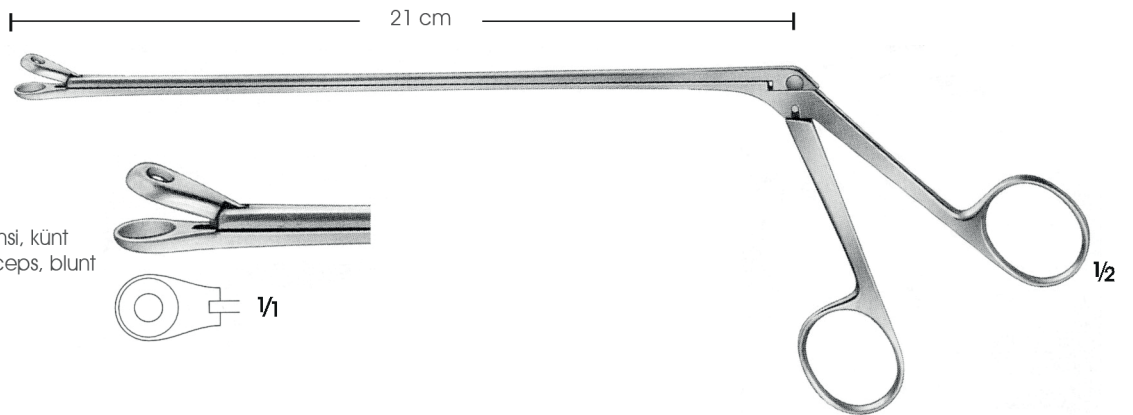
YASARGIL  
ER412-00 Ø 2.2 mm



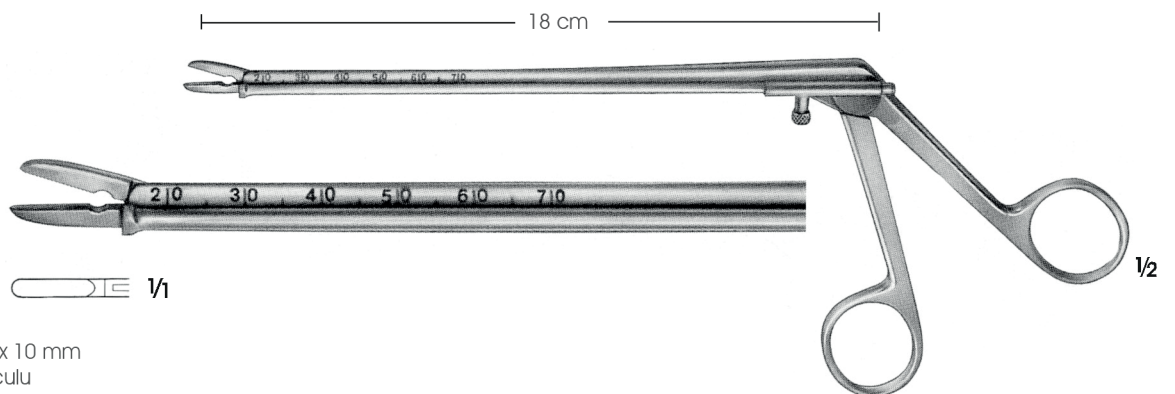
ER412-01 Ø 3.5 mm

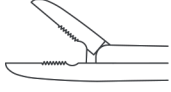


LANDOLT  
ER415-00 Ø 9 mm  
Grasping tümör pensi, künt  
Tumor grasping forceps, blunt



KRAMER  
ER417-01 2.5 x 10 mm  
Derinlik koruyuculu  
With depth guard





Mil uzunluđu  
Length of shaft  
14 cm

ER390-00

ER390-01

ER390-02

ER390-03

ER390-04

Mil uzunluđu  
Length of shaft  
16 cm

ER390-05

ER390-06

ER390-07

ER390-08

ER390-09

Mil uzunluđu  
Length of shaft  
18.5 cm

ER390-10

ER390-11

ER390-12

ER390-13

ER390-14

Çene ölçüleri  
Size of jaws

2 x 12 mm



1/1

3 x 12 mm



1/1

4 x 14 mm



1/1

5 x 14 mm



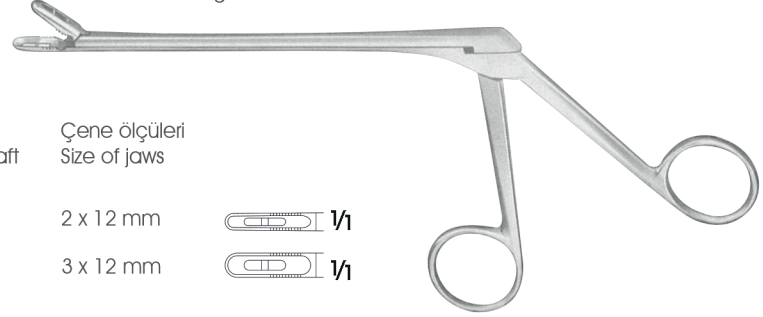
1/1

6 x 16 mm

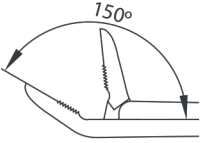


1/1

Mil uzunluđu  
Length of shaft



CASPAR  
ER390-00-ER390-14



Mil uzunluđu  
Length of shaft  
14 cm

ER392-01

ER392-02

ER392-03

Mil uzunluđu  
Length of shaft  
16 cm

ER392-06

ER392-07

ER392-08

Mil uzunluđu  
Length of shaft  
18.5 cm

ER392-11

ER392-12

ER392-13

Çene ölçüleri  
Size of jaws

3 x 12 mm



1/1

4 x 14 mm



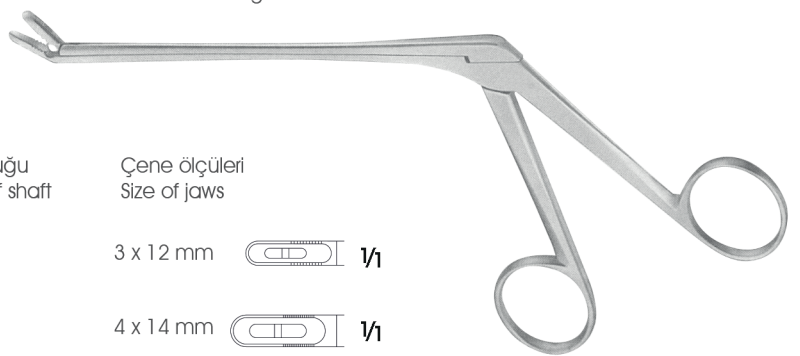
1/1

5 x 14 mm

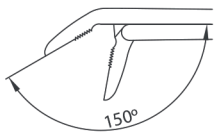


1/1

Mil uzunluđu  
Length of shaft



CASPAR  
ER392-01-ER392-13



Mil uzunluđu  
Length of shaft  
14 cm

ER394-01

ER394-02

Mil uzunluđu  
Length of shaft  
16 cm

ER394-06

ER394-07

Mil uzunluđu  
Length of shaft  
18.5 cm

ER394-11

ER394-12

Çene Ölçüleri  
Size of jaws

3 x 12 mm



1/1

4 x 14 mm



1/1

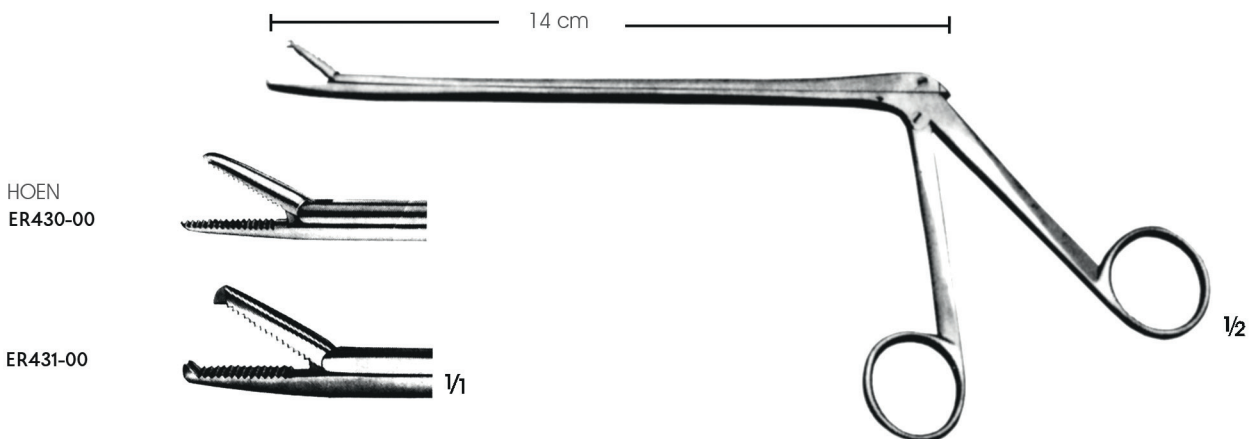
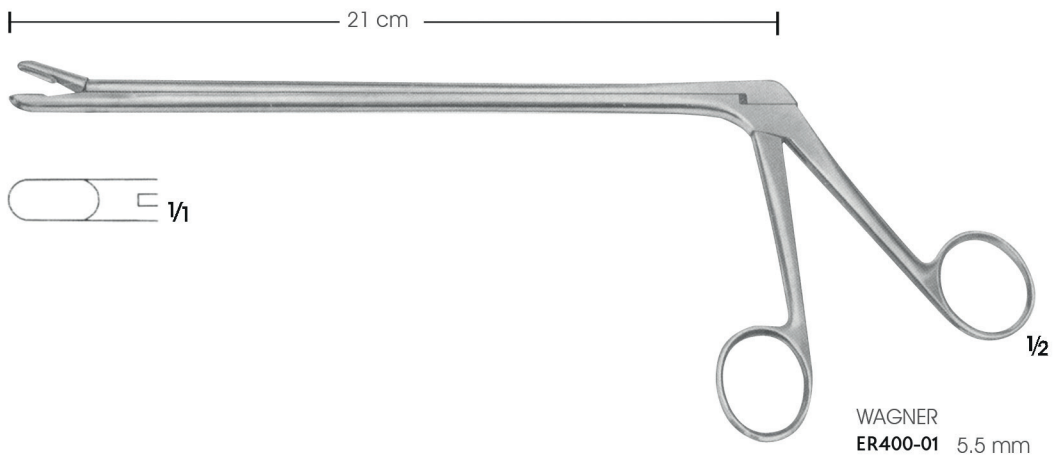
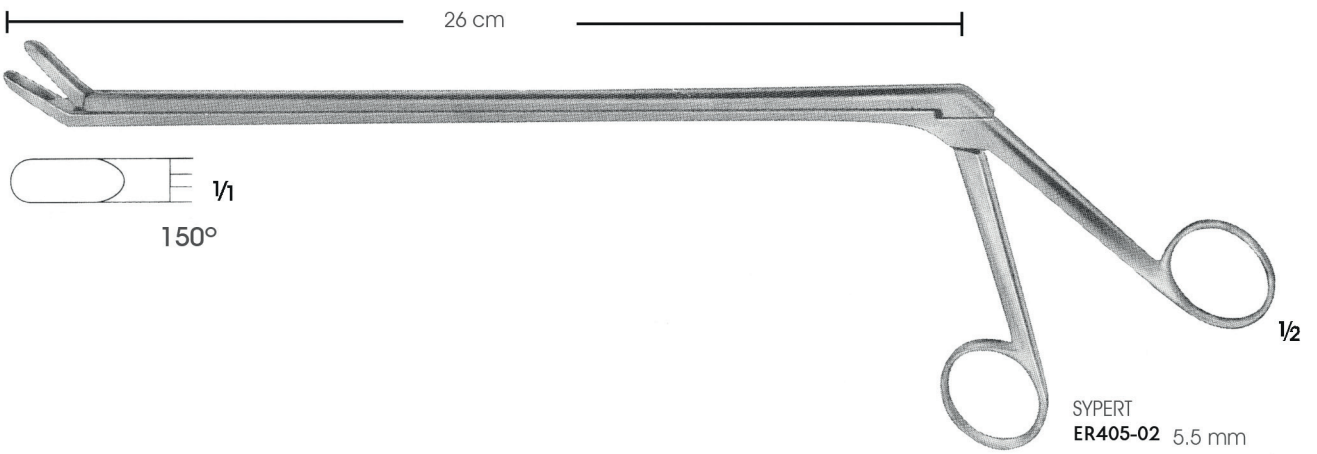
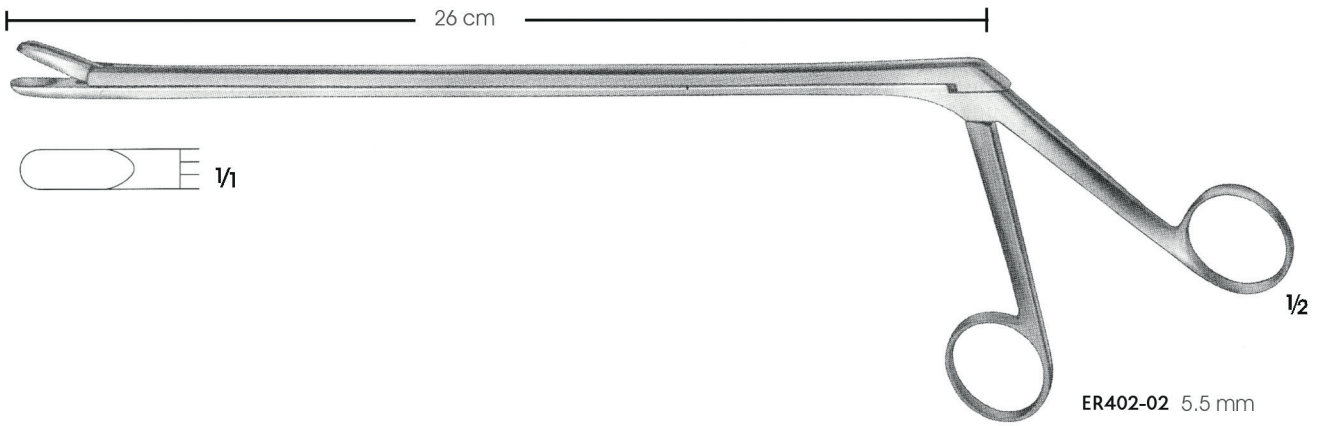
Mil uzunluđu  
Length of shaft

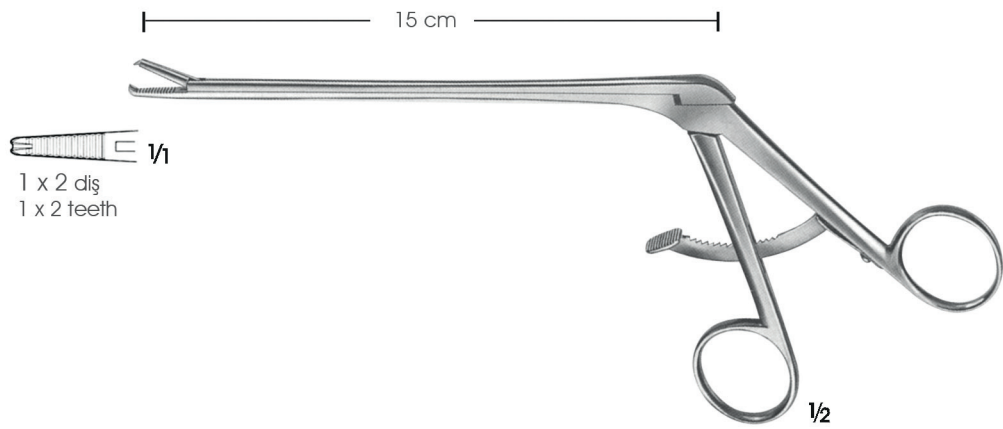


Alt çene hareketli  
Upper part of jaw movable

CASPAR  
ER394-01-ER394-12



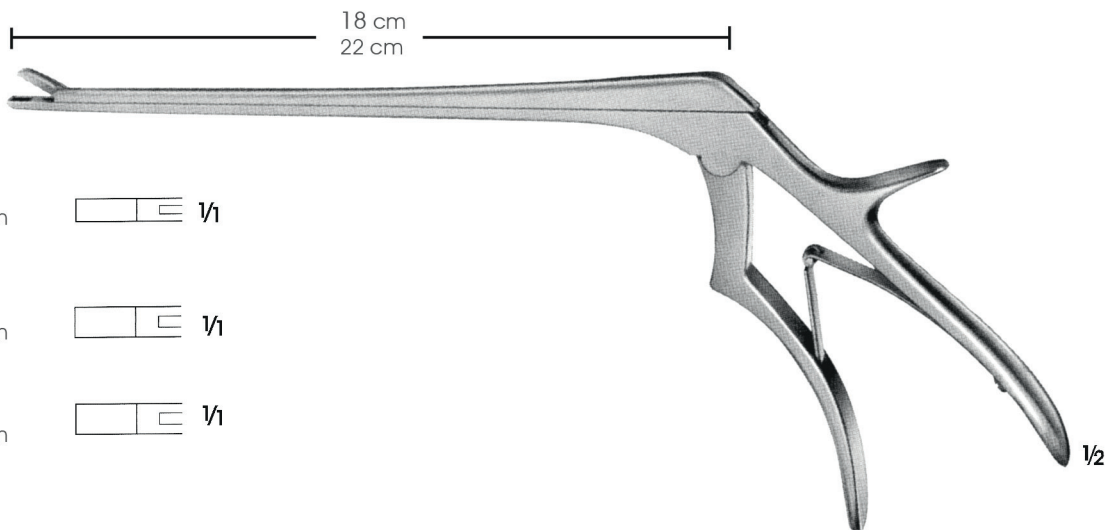




1/1  
1 x 2 diş  
1 x 2 teeth

1/2

**KRAMER**  
**ER432-00** 15 cm  
Bağ tutucu grasping pens, kilitli  
With catch grasping forceps for  
ligamentum flavum



CASPAR  
**ER450-02** 3 mm  
18 cm

1/1

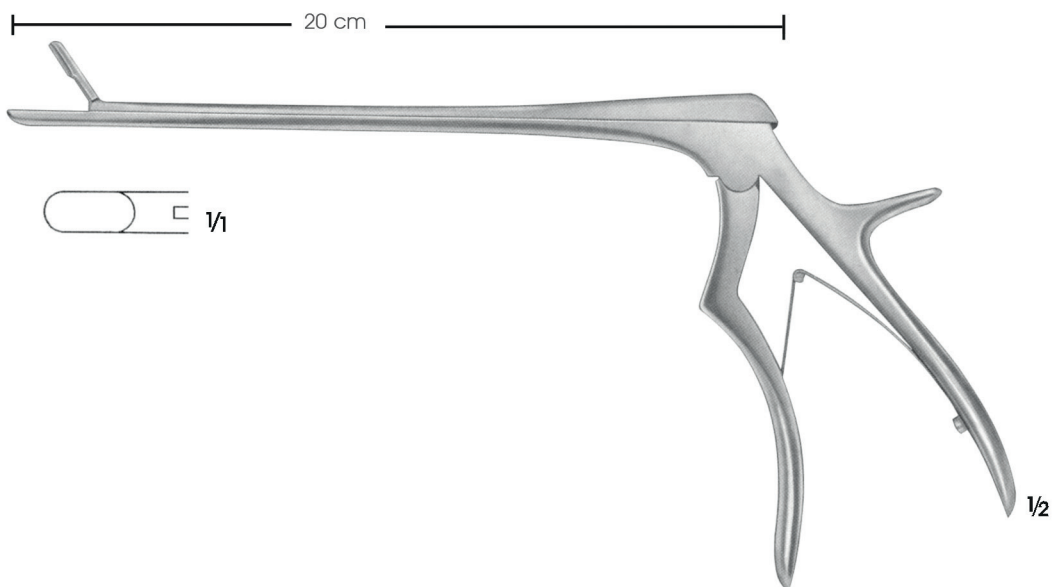
CASPAR  
**ER450-01** 4 mm  
18 cm

1/1

CASPAR  
**ER450-05** 4 mm  
22 cm

1/1

1/2



WAGNER  
**ER455-01** 5.5 mm

1/1

1/2

